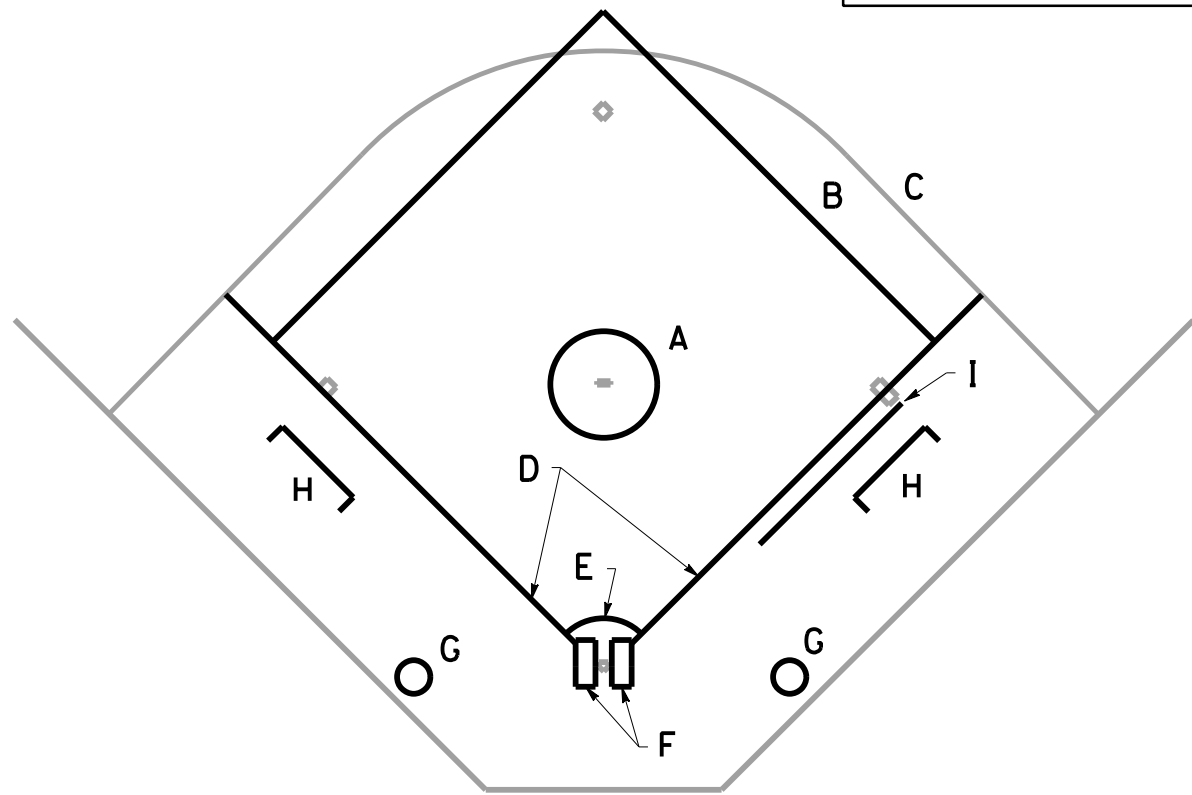
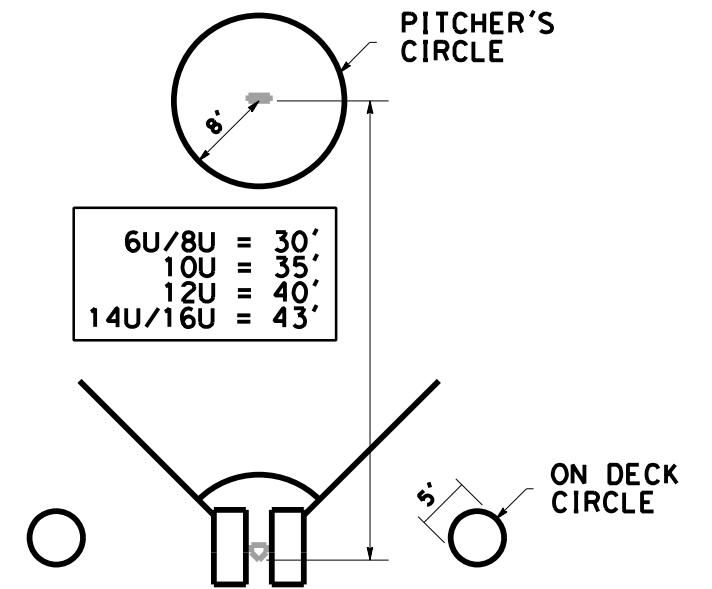


HOME TEAM IS RESPONSIBLE FOR FIELD SETUP IF FIRST GAME OF THE DAY  
 VISITING TEAM IS RESPONSIBLE FOR TAKE DOWN AND LOCKING BOXES IF LAST GAME

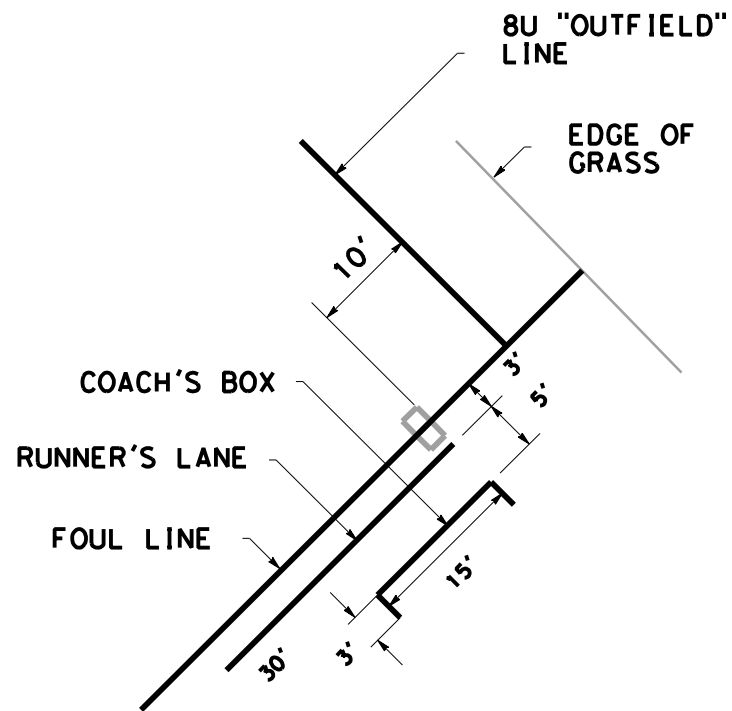


- A. PITCHER'S CIRCLE
- B. 8U "OUTFIELD" LINE (8U ONLY)  
\* NOTE: LINE EXTENDS ONTO GRASS AT SOME FIELDS.
- C. EDGE OF GRASS (FOR REFERENCE ONLY)
- D. FOUL LINE (EXTEND PAST BASE TO EDGE OF GRASS)
- E. 6U ARC (6U ONLY)
- F. BATTER'S BOX
- G. ON DECK CIRCLE
- H. COACH'S BOX
- I. RUNNER'S LANE (OPTIONAL)

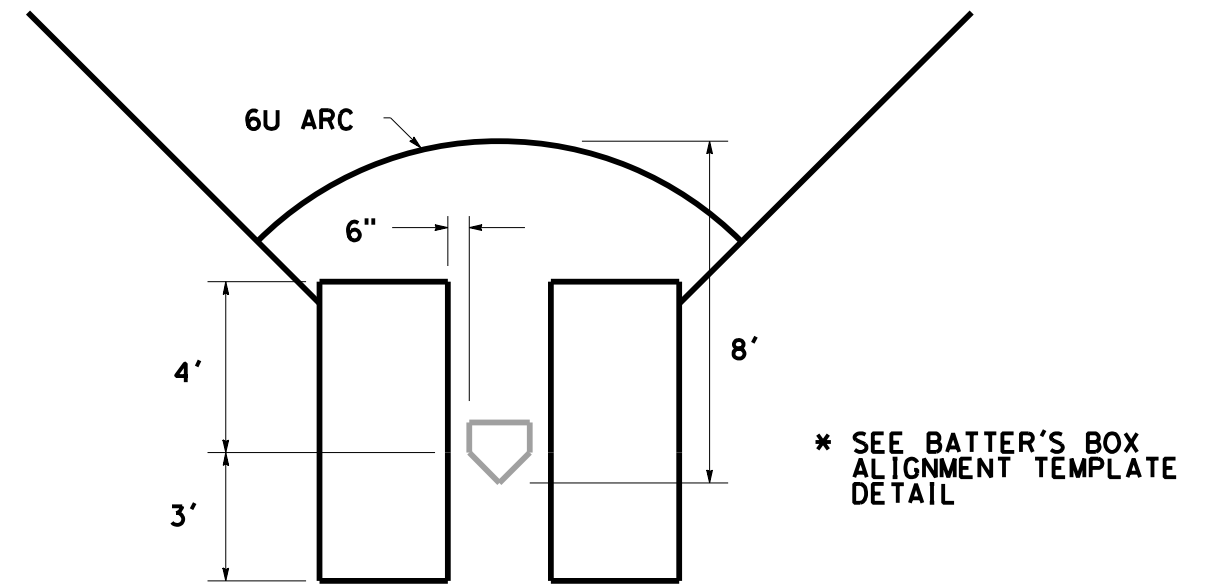
GENERAL FIELD LAYOUT



PITCHING RUBBER AND CIRCLE

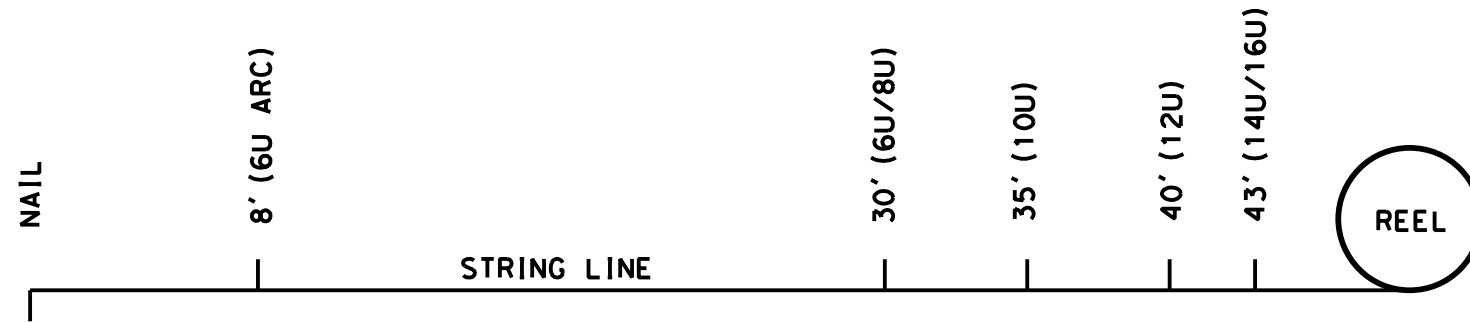


RUNNING LANE, COACH'S BOX, 8U "OUTFIELD"



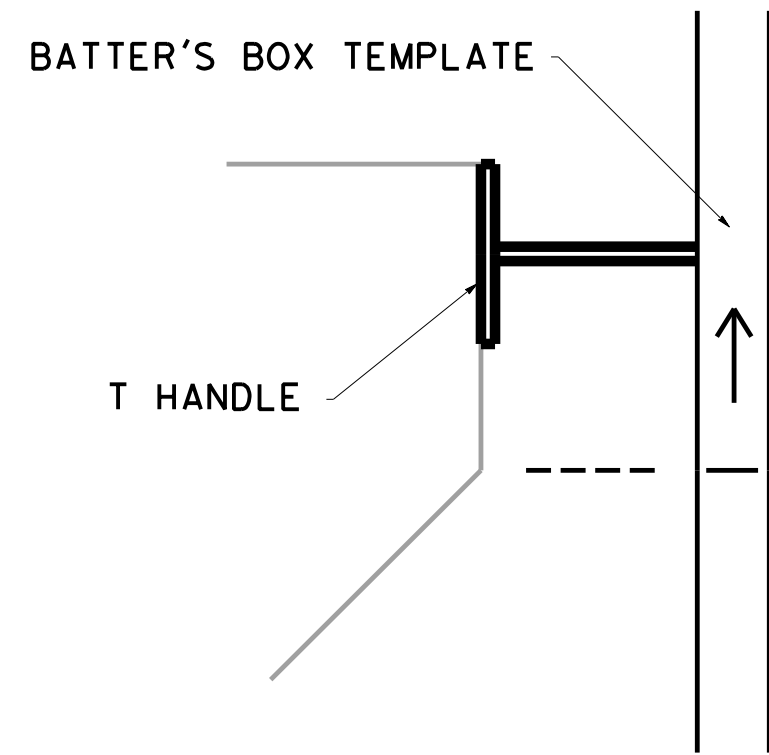
BATTER'S BOX AND 6U ARC

TO ACCESS AN INSTRUCTIONAL SETUP VIDEO, PLEASE VISIT:  
<https://www.rosevillegirlssoftball.org/content/23698/Tutorials>

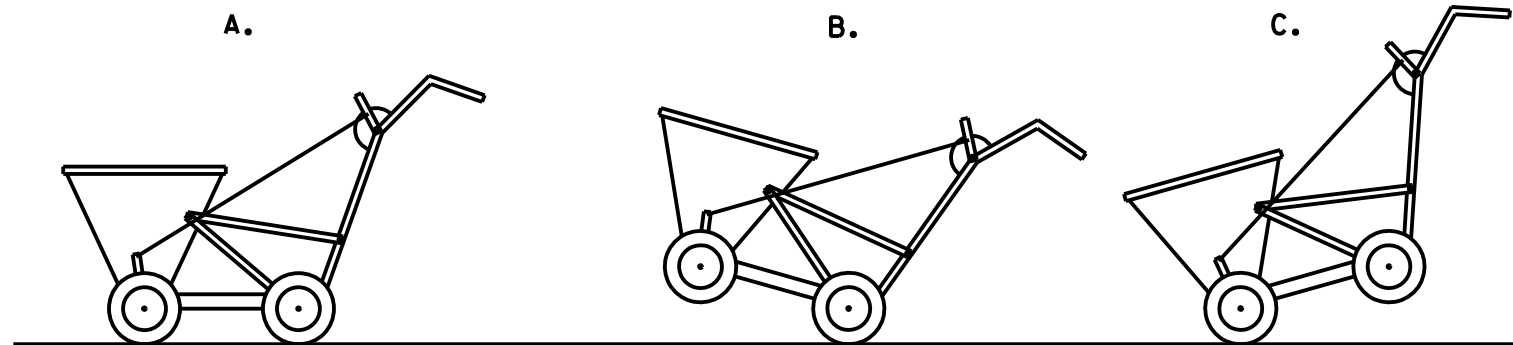


1. PLACE NAIL AT REAR POINT OF HOME PLATE.
2. MEASURE TO FRONT OF PITCHING RUBBER.
3. 8' MARK USED FOR PITCHER'S CIRCLE AS WELL.

STRING LINE MEASUREMENTS



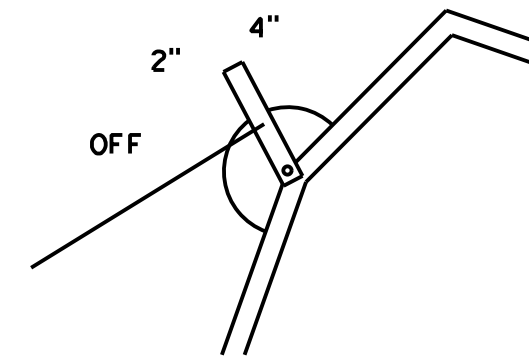
BATTER'S BOX TEMPLATE ALIGNMENT



- A. STRAIGHT LINE CHALKING (4 WHEELS)
- B. NO CHALK (FRONT WHEELS UP)
- C. CIRCLE CHALKING (REAR WHEELS UP)

CHALKER USE

4-WHEEL DRY LINE CHALKER



\* USE LINE WIDTH AT YOUR DISCRESSION.

LINE WIDTH SELECT

